



Th. WORTELBOER B.V.

SLUISWEG 9 - NL - 6582 AG HEUMEN

POSTBUS 5 - NL - 6580 AA MALDEN

TEL. 024 - 358 65 14

FAX 024 - 358 70 79

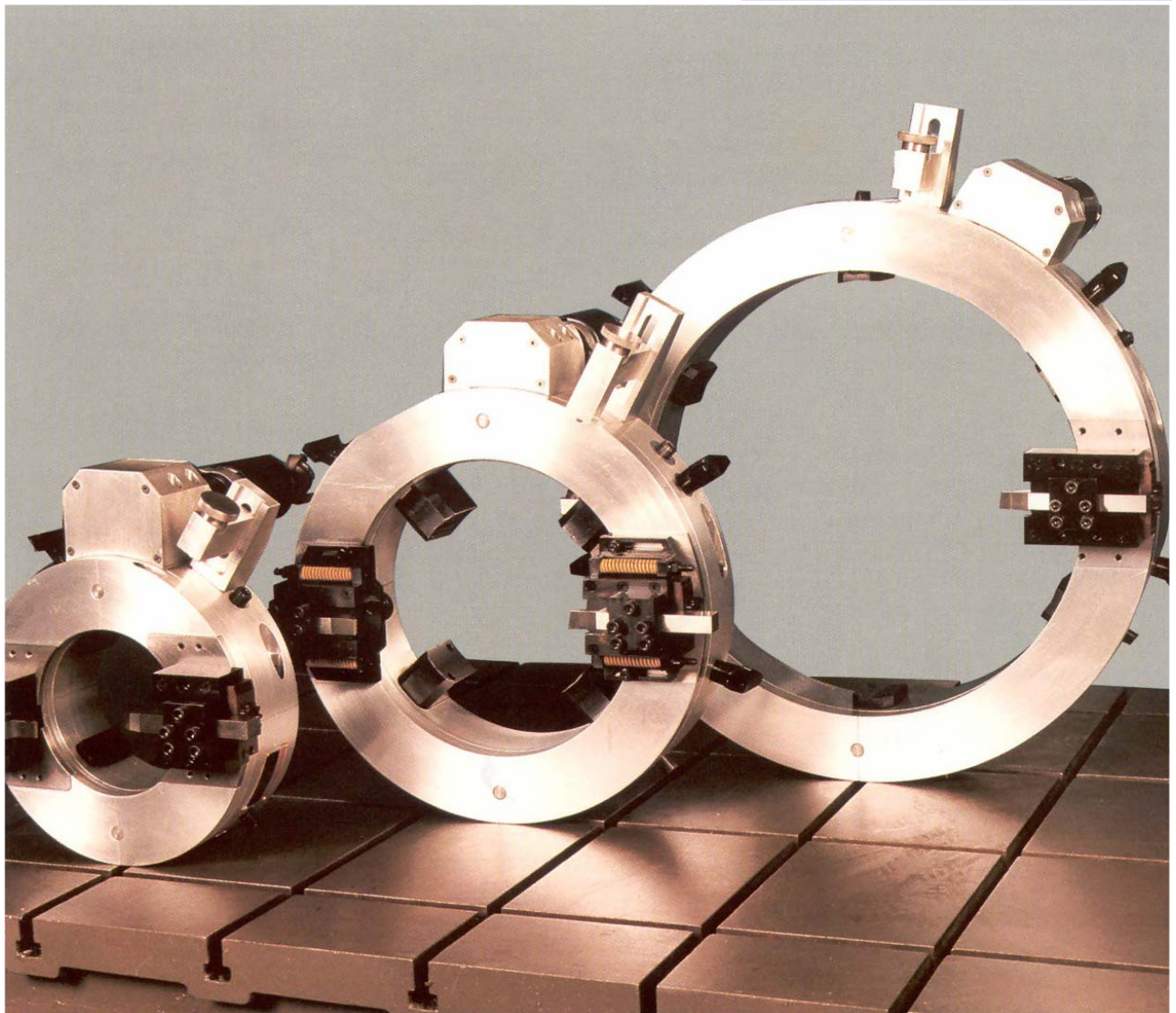
www.wortelboer.ws

E-mail : info@wortelboer.ws

**PORTABLE PIPE CUTTING
AND WELD PREPARATION MACHINE
FOR CUTTING PIPE IN SITU
OR IN THE WORKSHOP**

CLYDE

**LOW CLEARANCE
SPLIT FRAME**



Models LC

CLYDE

LOW CLEARANCE SPLIT FRAME

VERSATILITY

- Models available for 2" dia. to 30" o.d. pipe in any combination of sizes on 4"-6" increments.
- Interchangeability of accessories between sizes e.g. Drive motors, tool slides etc.
- One machine can cut and bevel simultaneously.
- Pipe materials: Carbon steel, stainless, duplex, ductile iron, kunifer.
- Wrap around clamps for thin wall pipe.
- Star wheel feed systems offers low clearance and simple to operate.

QUALITY

- Hardened and ground tool slides
- Hydrostatic Plain Bearing.
- Drive gear and bearing surfaces are covered and shielded.

TOOL SLIDE OPTIONS

- **Low Clearance Tool Slides** (1" travel) Feed Rate 0.0025/rev
- **Extended Tool Slides** (2" travel) Feed Rate 0.0025/rev
- **Counterboring Tool Slides**
- **Spring Loaded out-of roundness compensator tool slide**, which permits the cutting tool to follow the pipe ovality.
- **Taper Turning Tool Slides**
- **Custom Built Tool Slides** special applications
- **Depth controlled tool slides** grooving etc.

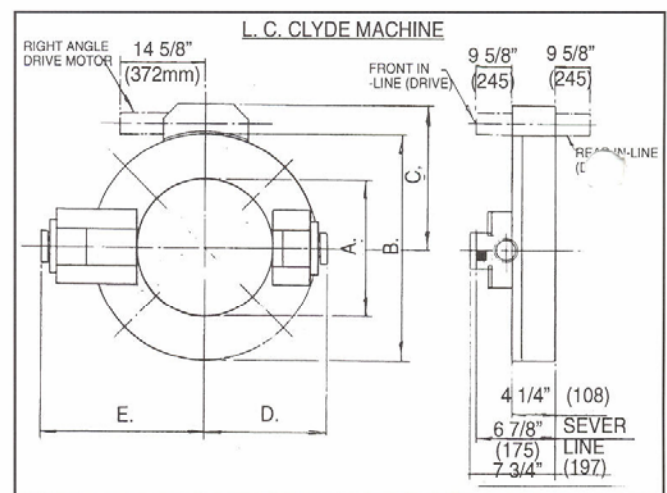
DRIVE OPTIONS

- PNEUMATIC 1.5 HP. 90 p.s.i. - 48 cfm (3.5 HP available on request)
- Hydraulic 2.8 HP. 100 bar - 30 litres/min
- In-Line Drive Assy (Front)
- In-Line Drive Assy (Rear)

ACCESSORIES

- Flange Facing Module
- Clamp Extension Legs
- Backing ring plates for special mounting applications

DIMENSIONS



IMPERIAL	MACHINE CAPACITY	DRIVE RING ASSY WEIGHT	BORE DIAMETER	DIAMETER	DIMENSION	DIMENSION	DIMENSION
MODEL	ins.	lb.	A ins.	B ins.	C ins.	D ins.	E ins.
LC-2-6	2-6	80	7.375	13.375	9.958	8.000	9.537
LC-4-8	4-8	102	9.375	15.375	10.959	8.985	10.522
LC-6-12	6-12	146	13.500	19.500	13.041	10.988	12.539
LC-12-18	12-18	203	18.750	24.750	15.625	13.613	15.164
LC-18-24	18-24	268	24.750	30.750	18.625	16.593	18.148
LC-24-30	24-30	334	30.750	36.750	21.625	19.578	21.136

DETACHABLE MOTOR ASSY WT. = 19 lb
STANDARD TOOLBOX WT. = 5.5 lb
EXTENDED TOOLBOX WT. = 6.5 lb

METRIC	MACHINE CAPACITY	DRIVE RING ASSY WEIGHT	BORE DIAMETER	DIAMETER	DIMENSION	DIMENSION	DIMENSION
MODEL	mm	kg.	A mm	B mm	C mm	D mm	E mm
LC-2-6	51-152	36	187	340	253	203	242
LC-4-8	102-203	46	238	390	278	228	267
LC-6-12	152-305	66	343	495	331	279	319
LC-12-18	305-457	92	476	629	397	346	385
LC-18-24	457-610	122	629	781	473	421	461
LC-24-30	610-762	152	781	933	549	497	537

DETACHABLE MOTOR ASSY WT. = 9 kg
STANDARD TOOLBOX WT. = 2.5 kg
EXTENDED TOOLBOX WT. = 3 kg