



**Th. WORTELBOER B.V.**

SLUISWEG 9 - NL - 6582 AG HEUMEN

POSTBUS 5 - NL - 6580 AA MALDEN

TEL. 024 - 358 65 14

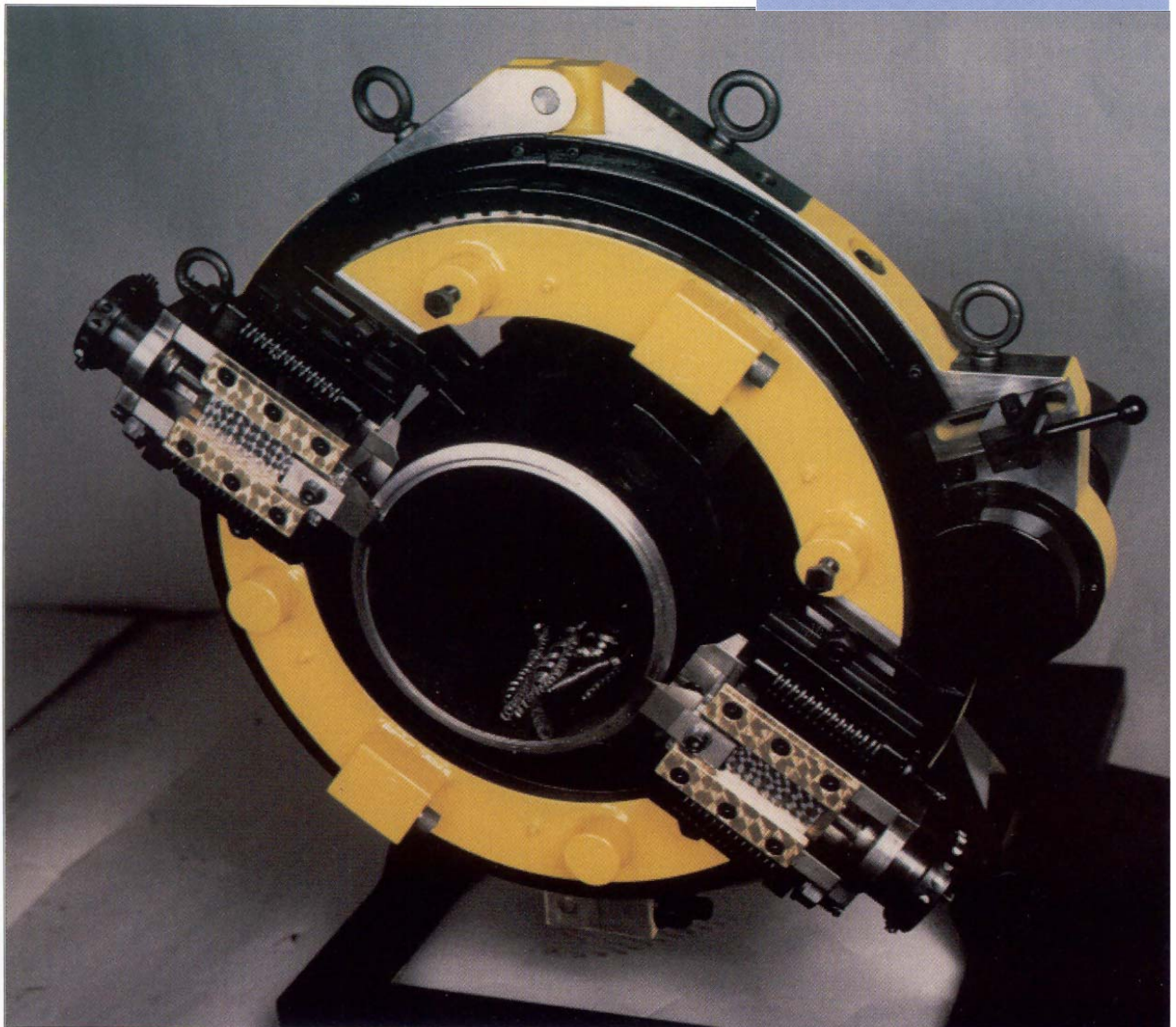
FAX 024 - 358 70 79

[www.wortelboer.ws](http://www.wortelboer.ws)

E-mail : [info@wortelboer.ws](mailto:info@wortelboer.ws)

**CLYDE**

**PORTABLE PIPE CUTTING  
AND WELD PREPARATION MACHINE  
FOR CUTTING PIPE IN SITU  
SUB-SEA OR IN THE WORKSHOP**



MODELS C1

## INTRODUCTION

The 'Clyde' range of Portable Pipe Cutting and Beveling Machines are ruggedly designed to give long life and rigidity in the most arduous conditions.

The Split Frame design enables inline pipe to be cut and bevelled simultaneously. 'Clyde' machines are simple to operate and require minimum operator skill. They eliminate burning and grinding operations. Pipe Clamps, Tool Boxes, Feed Unit and Drive Units are all interchangeable throughout the "Clyde" range. The Standard Machines cover from 6" diameter through to 36" diameter. Specials and large capacity machines can be supplied.

# CLYDE

## VERSATILITY

### DRIVE OPTIONS

Hydraulic or Pneumatic (Remote if required).

### CLAMPING OPTIONS

4 - Independant adjustable chuck jaws.

Backing ring plates for special mounting applications

4 - Self-squaring adjustable chuck jaws.

### TOOL BOX OPTIONS

*Standard Tool Box* star wheel feed .003"/Rev.

*Dancer Tool Box* with in-built out of roundness feature, which permits the cutting tool to follow the contour of the pipe. Star wheel feed .003/Rev.

*Manual Feed Tool Boxes.*

*Right Angle Tool Boxes* for weld preparation and counter boring.

*Parallel & Taper Turning Tool Boxes.*

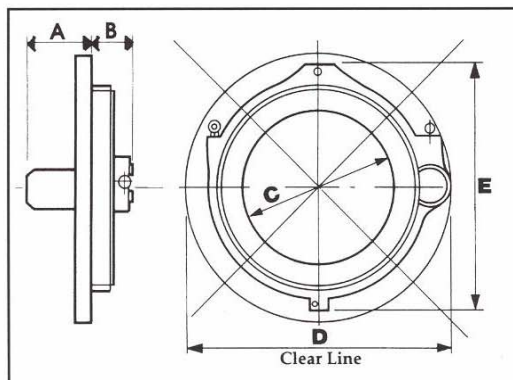
*Custom Built Tool Boxes* for special applications.

Milling Heads for Rotary Milling & Drilling.

AIR DATA			
No.	Capacity	Work'g rpm	
C1	6"-12"	14.5	Max H.P. = 3
C2	12"-18"	11.00	R.P.M. at max. H.P. = 83
C3	18"-24"	9.00	Consumption of air at max. H.P. = 95 cfm based on 90 P.S.I.
C4	24"-30"	8.00	
C5	30"-36"	7.00	

HYDRAULIC DATA								
MACHINE			MOTOR					
No.	Capacity	Work'g rpm	H.P.	R.P.M.	Torque lbs/□"	Max Oil Press lbs/□"	Oil Flow G.P.M.	
C1	6"-12"	21	7.5	119	4000	1400	100	
C2	12"-18"	14	6.4	101				7.9
C3	18"-24"	10	5.8	92				6.6
C4	24"-30"	8	5.4	86				6.26
C5	30"-36"	7	5.2	83				6.1

## DIMENSIONS



MODEL		C1	C2	C3	C4	C5
Pipe Outside Diameter Capacity	mm in	152-304 6-12	304-457 12-18	457-610 18-24	610-762 24-30	762-915 30-36
Dimension 'A'	mm in	168 6 5/8	168 6 5/8	168 6 5/8	168 6 5/8	168 6 5/8
Dimension 'B'	mm in	144.5 5 11/16	144.5 5 11/16	144.5 5 11/16	144.5 5 11/16	144.5 5 11/16
Dimension 'C'	mm in	394 15 1/2	521 21 1/2	699 27 1/2	851 33 1/2	1003 39 1/2
Dimension 'D'	mm in	800 31 1/2	953 37 1/2	1105 43 1/2	1257 49 1/2	1410 55 1/2
Dimension 'E'	mm in	716 28 3/16	868 34 3/16	1021 40 3/16	1173 46 3/16	1326 52 3/16
Overall Weight excluding x2 Tool Boxes 14.4Kg (32lb)	Kg lb	154 339	192 423	231 510	271 597	310 683