



Th. WORTELBOER B.V.

SLUISWEG 9 - NL - 6582 AG HEUMEN

P"O"RCL 5 - NL - 6580 AA MALDEN

TEL. Ž' %24 - 358 65 14

FAX Ž' %24 - 358 70 79

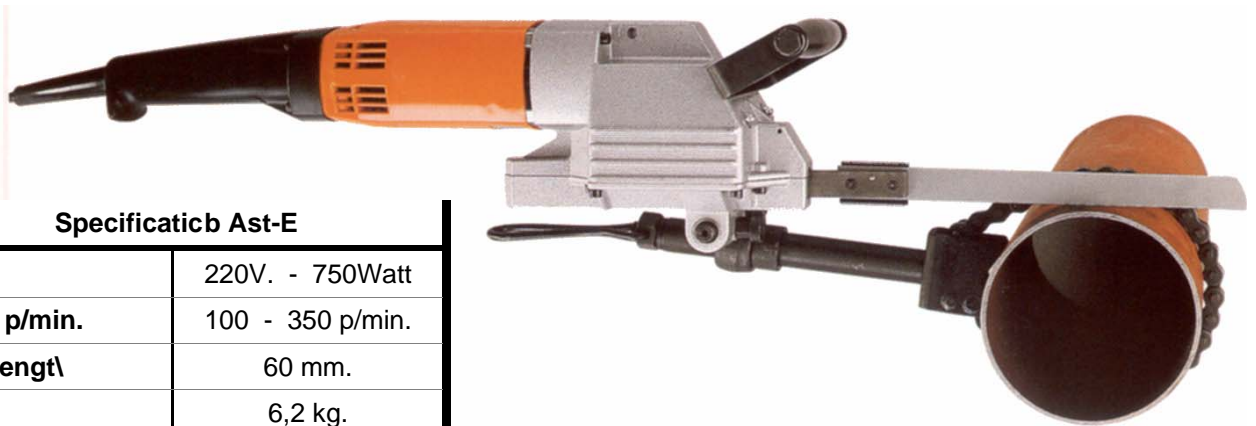
www.wortelboer.ws

E-mail : info@wortelboer.ws

< UW_gUk g'hype Ast-E en Ast-P FUb[Y Ø 80 - Ø 530 mm.

< 57 ? G5 K `type Ast-E en Ast-P

- Optimal ~ • a| ^Aor & cā * Ā ā ^• Aā ā Ā | - ā • . Ū ~ āā | ^ Ā | Ā ^ Ā | aĀ ā Ā | ā • | ā ^ st ^ | , & aē c ā Ā c ^ | Ē aē Ē | } & ^ c Ā ā Ā | aē c ā • .
- ## Ō | aĀ] ā * - aē ā Ā ^ ā ā * ~) ā ā ā ā ā | ^ Ā | Ā ā ^ • - [{ Ā 80 ~ } d í Ē mm.
- ## # [ā ^ | Ā | Ā c ^ & c ā ā ā ā c | ^ • • Ā] ^ ā ā | } d [| Ā | Ā c • ^ Ā | aĀ ā Ā | ā • .



Specificaticb Ast-E

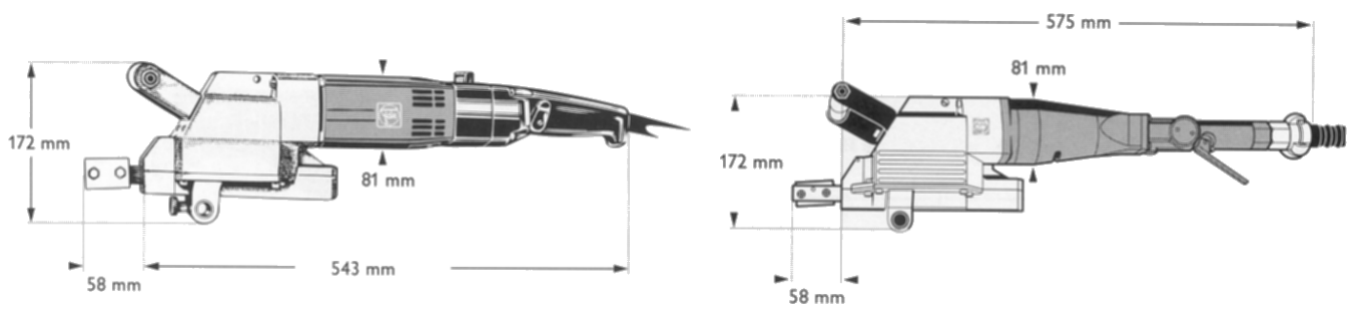
Motor	220V. - 750Watt
Gf c_Yg p/min.	100 - 350 p/min.
Sf c_Y-length\	60 mm.
K Y[\ h	6,2 kg.
FUb[Y Ø	80 - 530 mm.



Specificaticb Ast-P

Wcrkdf Ygg" - Ūj f	6 bar - 1,45m³/min.
Gf c_Yg p/min.	100 - 350 p/min.
Sf c_Y-length\	60 mm.
K Y[\ h	6,2 kg.
FUb[Y Ø	80 - 530 mm.

Dimensions



Options



Clamping and feeding unit for pipediam. 80 - 400 mm.



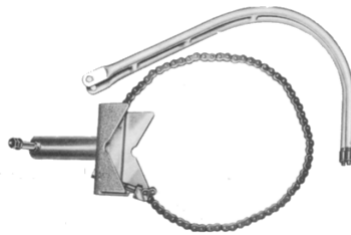
Clamping unit for pipediam. upto 159 mm.



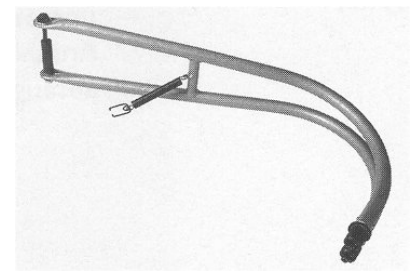
Clamping unit for pipediam. 100 - 325 mm.



Clamp for profiles upto 310 mm width and 550 mm. height



Clamping unit with guide for sawblade for pipes upto 530 mm. diameter



Zwa blade guide for pipes upto Ø 325 mm. Only be used with sawblade length 530 mm. and a thickness of 1,6 mm.

Sawblades

Sawblades can be supplied in lengths of 200 upto 770 mm. and in several executions (teeth pitch) dependent of the material to be sawed.